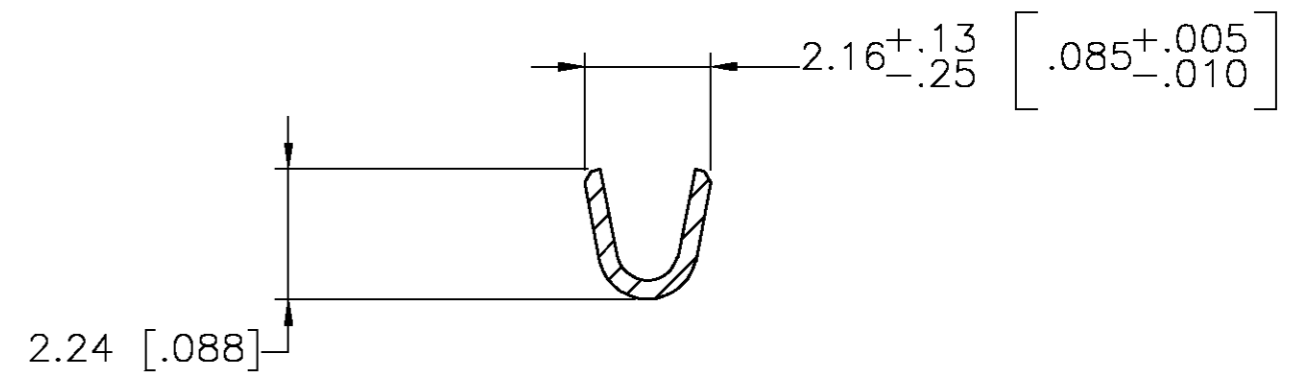
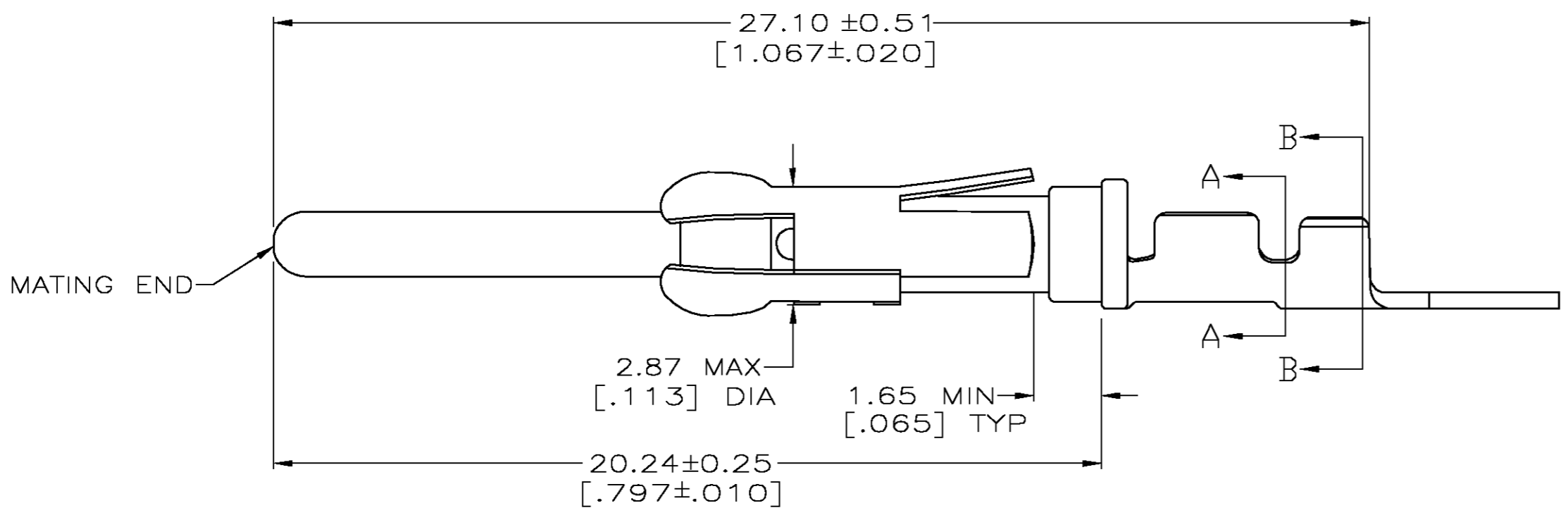
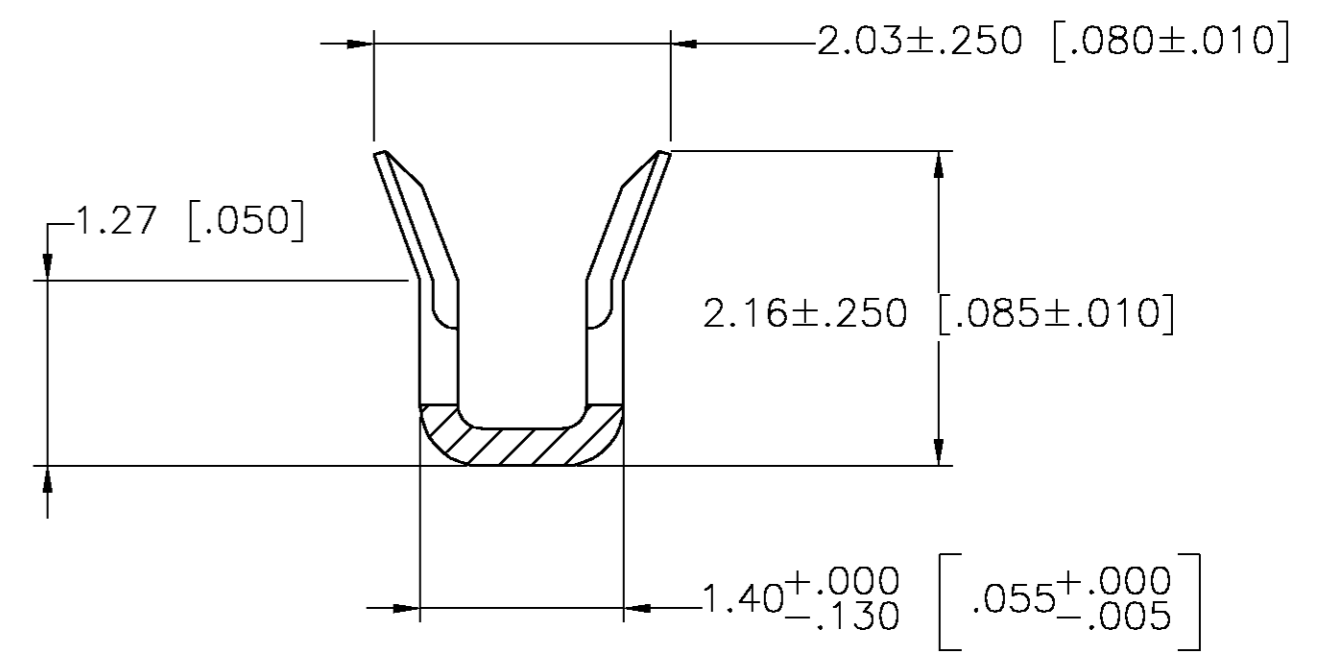
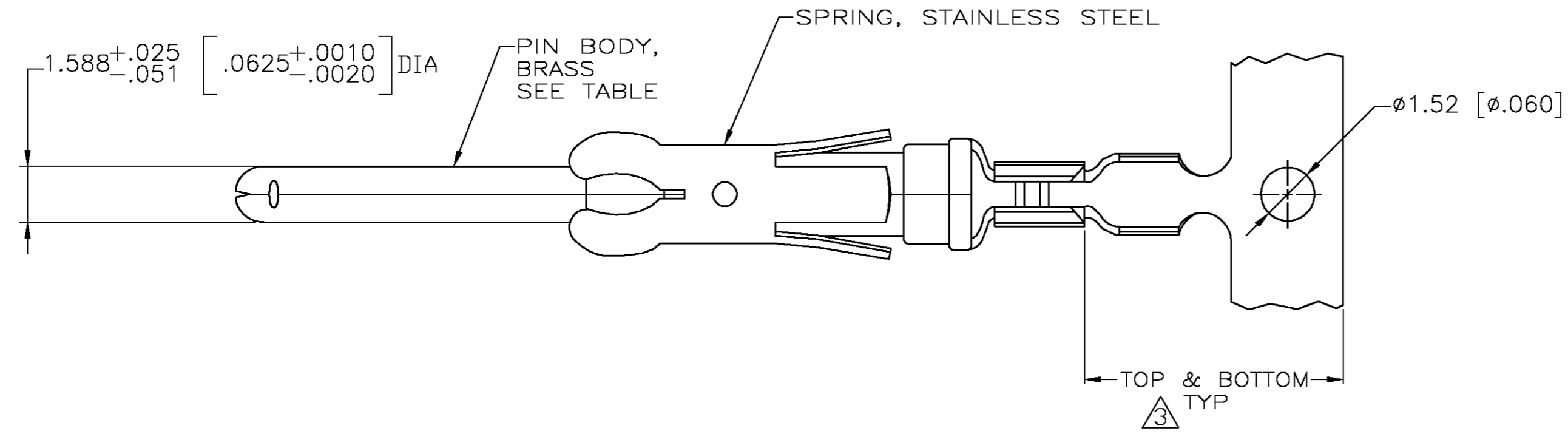


THIS DRAWING IS UNPUBLISHED. RELEASED FOR PUBLICATION
 © COPYRIGHT BY TYCO ELECTRONICS CORPORATION. ALL RIGHTS RESERVED.

LOC	DIST	REVISIONS					
FT	47	P	LTR	DESCRIPTION	DATE	DWN	APVD
		S		EC 0G3G-0367-03	05MAY03	VF	GS



- ① $0.76 \mu\text{m}$ [$.000030$] MIN GOLD PER MIL-G-45024 ON MATING END FOR A LENGTH OF 5.08 [$.200$] MIN WITH GOLD FLASH ON THE REMAINDER, OVER $1.27 \mu\text{m}$ [$.000050$] NICKEL PER QQ-N-490.
- ② REELED FOR MINI-APPLICATOR.
- ③ GOLD PLATING NEED NOT APPEAR IN THIS AREA.
- ④ $0.76 \mu\text{m}$ [$.000030$] MIN GOLD PER MIL-G-45204 ON MATING END FOR A LENGTH OF 5.08 [$.200$] MIN WITH A UNIFORM GRADIENT TO $0.25 \mu\text{m}$ [$.000010$] MIN GOLD PER MIL-G-45204 ON THE REMAINDER OVER $1.27 \mu\text{m}$ [$.000050$] NICKEL PER QQ-N-290.
- ⑤ $0.38 \mu\text{m}$ [$.000015$] MIN GOLD PER MIL-G-45204 ON MATING END FOR A LENGTH OF 5.08 [$.200$] MIN WITH GOLD FLASH ON THE REMAINDER, OVER $1.27 \mu\text{m}$ [$.000050$] NICKEL PER QQ-N-290.
- 6. WIRE RANGE 26-30 AWG.
- 7. INSULATION RANGE 1.02 [$.040$] - 1.52 [$.060$] DIA.
- ⑧ $1.27 \mu\text{m}$ [$.000050$] MIN TIN-LEAD PER MIL-T-10727 OVER $1.27 \mu\text{m}$ [$.000050$] MIN NICKEL PER QQ-N-290.
- ⑨ $0.38 \mu\text{m}$ [$.000015$] MIN GOLD PER MIL-G-45204 ON MATING END FOR A LENGTH OF 5.08 [$.200$] MIN, 1.27 MIL-T-10727 FOR A LENGTH OF 5.69 [$.224$] MIN ON OPPOSITE END, BOTH OVER $1.27 \mu\text{m}$ [$.000050$] MIN NICKEL PER QQ-N-290 ON ENTIRE CONTACT.
- ⑩ $1.27 \mu\text{m}$ [$.000050$] MIN TIN PER MIL-T-10727 OVER $1.27 \mu\text{m}$ [$.000050$] MIN NICKEL PER QQ-N-290.

OBSOLETE	②	⑩	-	1-66425-2
	②	⑨	66429-6	1-66425-1
	②	①	66429-4	66425-8
	②	⑤	66429-3	66425-7
	②	⑧	-	66425-6
	②	④	66429-1	66425-5
STANDARD	①	66429-4	66425-4	
STANDARD	⑤	66429-3	66425-3	
STANDARD	④	66429-1	66425-1	
REELING	PIN BODY FINISH	LOOSE PIECE REF	PART NO.	

THIS DRAWING IS A CONTROLLED DOCUMENT.

DIMENSIONS: MM [INCHES]	TOLERANCES UNLESS OTHERWISE SPECIFIED:	DWN V. FURLER 28JUL03	CHK G. STEINHAUER 28JUL03	APVD G. STEINHAUER 28JUL03	NAME	TYCO Electronics Corporation Harrisburg, PA 17105
0 PLC ± -	1 PLC ± -	2 PLC ± 0.13 [.005]	3 PLC ± -	4 PLC ± -	ANGLES ± -	FINISH
MATERIAL SEE CALLOUTS	SEE TABLE	WEIGHT -	SIZE A2	CAGE CODE 00779	DRAWING NO C=66425	RESTRICTED TO -
CUSTOMER DRAWING			SCALE 8:1	SHEET 1 OF 1	REV S	